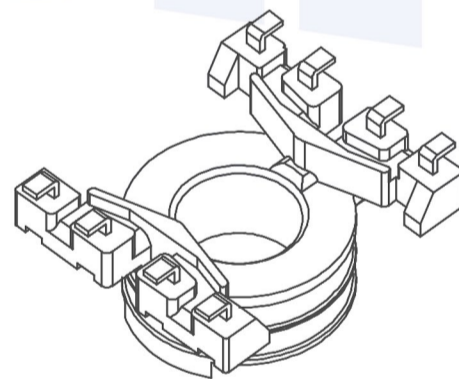
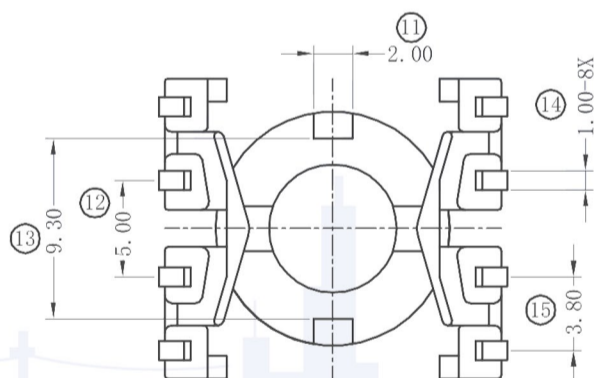
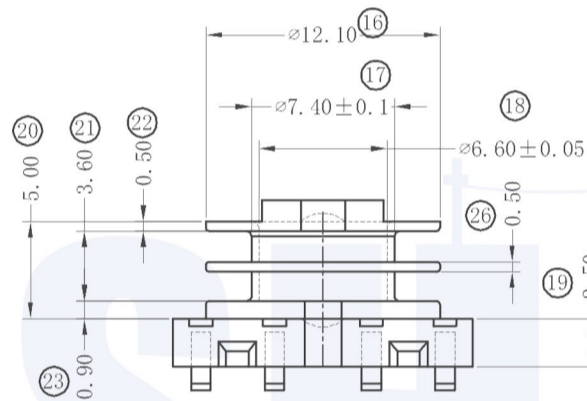
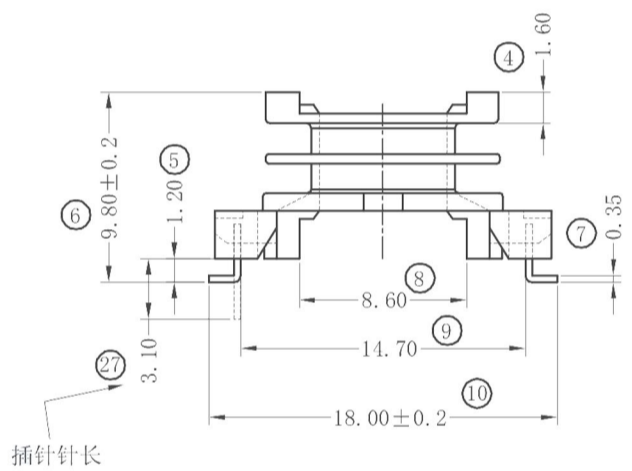
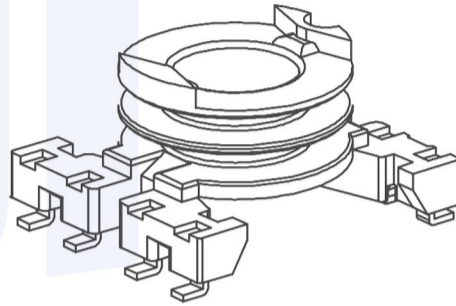
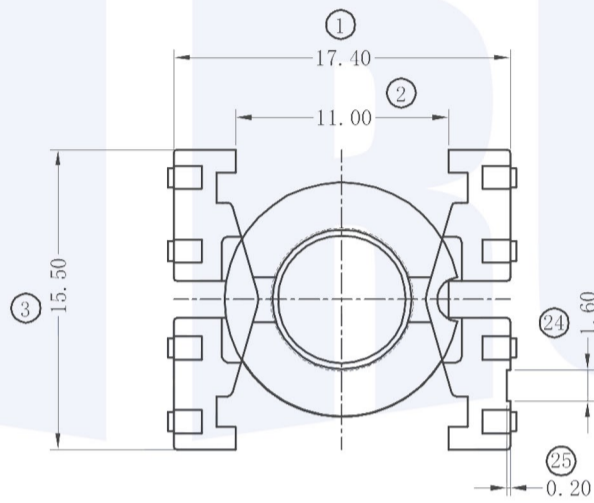


SHIRUI

P/N
SR-SMDRM0602



Anhui Shirui Electronic Technology Co., Ltd

SR NO. SR-SMDRM0602	MATERIAL: PHENOLIC	UNIT: mm	DRN.	WILL H
MODEL NAME: SMDRM6-8P-2S H	UL REC: UL 94V-0	TOLERANCE	CHD.	IRINA LEE
	ANGLE: ± ° 	0 < L ≤ 4 ±0.10 4 < L ≤ 16 ±0.20 16 < L ≤ 64 ±0.30 PIN PITCH ±0.05	ISSD.	JAMES HU

Contact salesman:sales@shiruitech.com,For technique to contact :james@shiruitech.com